

UHF YAGI Antenna 7 Dbi



An ISO 9001: 2015 Certified Company



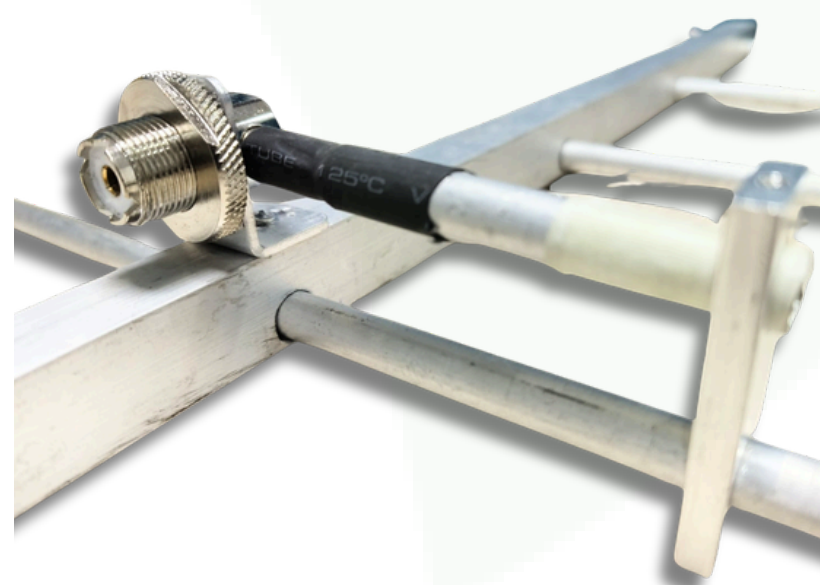
Technical Specifications

Model No.	YAGIUVHF07
Frequency Range	400~470 MHz
Band Width	20 MHz
Impedance	50Ω
VSWR	<1.5
Gain	7 DBi
Polarization	Vertical
Operating Temp.	-40~+55°C
Horizontal 3dB Beam Width	53°
Vertical 3dB Beam Width	45°
Front To Back Ratio	>15 dB
Maximum Input Power	100 W
Lightning Protection	Direct Ground
Rated Wind Velocity	60 m/s
Connector Type	UHF Female
Length	450x380x48mm
Weight	0.3Kg Approx.
Mounting Hardware	Ø30~ Ø40 mm
Compliances	CE compliant
ROHS	ROHS Compliant
Brand	Gleam Light India

FEATURES

- Wide Frequency Range
- Light Weight
- High gain
- Easy to Install
- Vertical Polarization
- Strong directionality
- Best for Outdoor applications.

UHF Connector



CALL OR  **+91-8800386366**

Follow Us For More Updates **GLEAMLIGHTINDIA** /     

Info@gleamlightindia.com/www.gleamlightindia.in/gleamlightindia.com/www.gleamindia.com

GLEAM LIGHT INDIA PRIVATE LIMITED

12B Block -A, Behind Kanishka Garden, Amar Colony Main Rohtak Road Nangloi, New Delhi, Delhi 110041

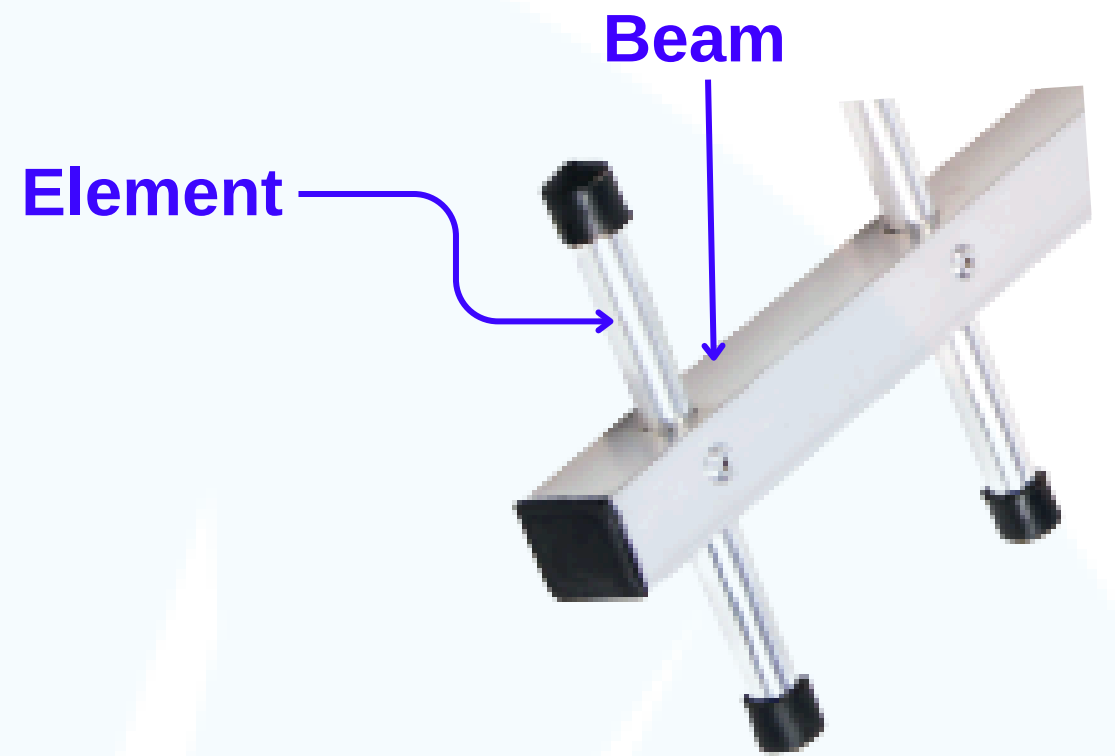
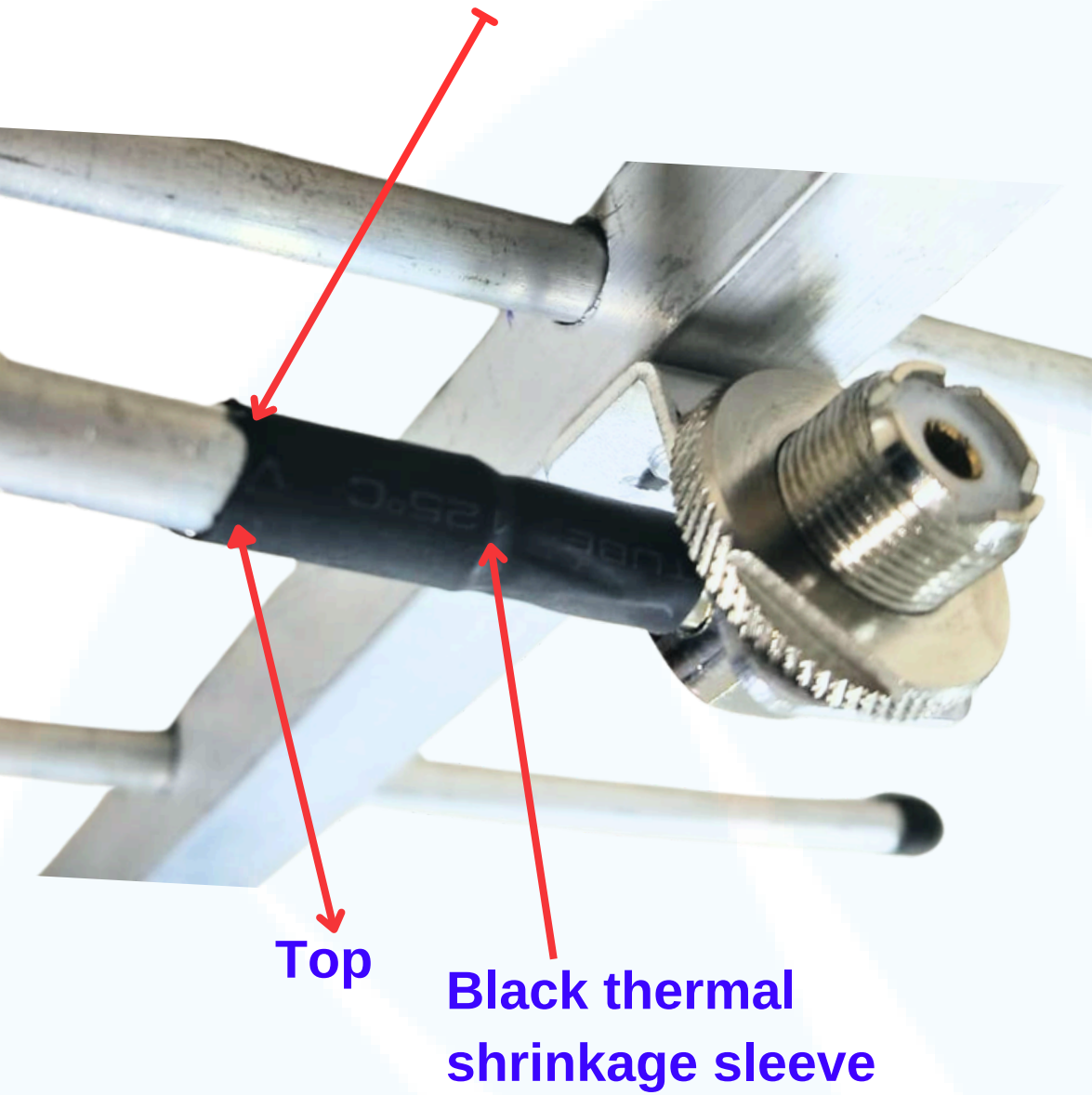


UHF YAGI Antenna 7 Dbi



An ISO 9001: 2015 Certified Company

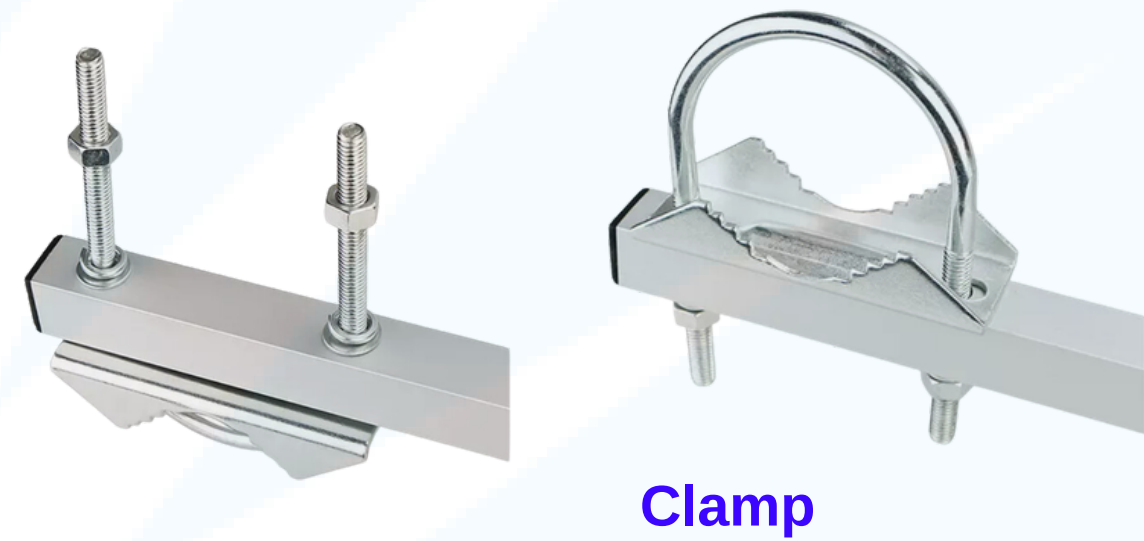
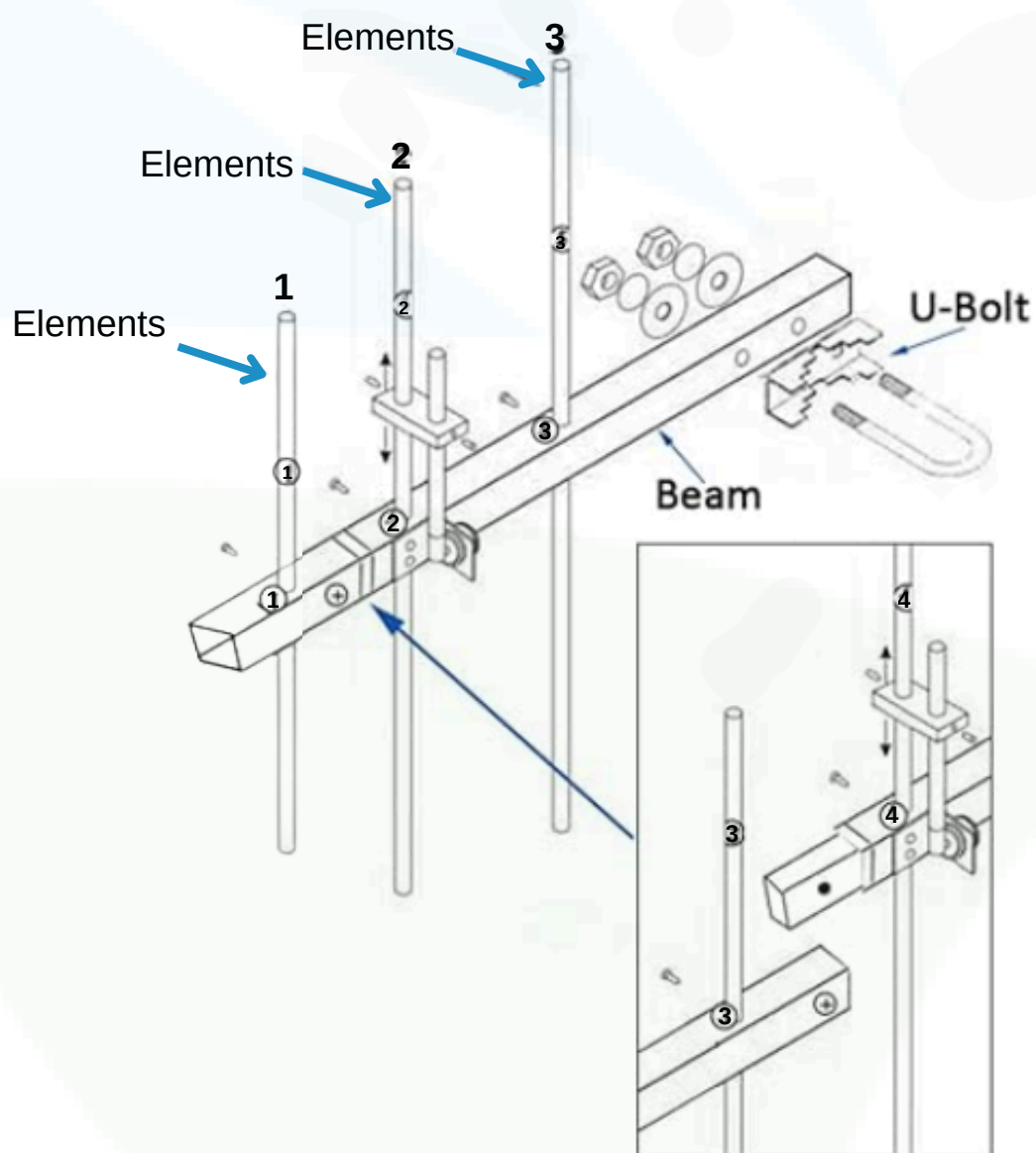
Position the Antenna
for the best S.W.R



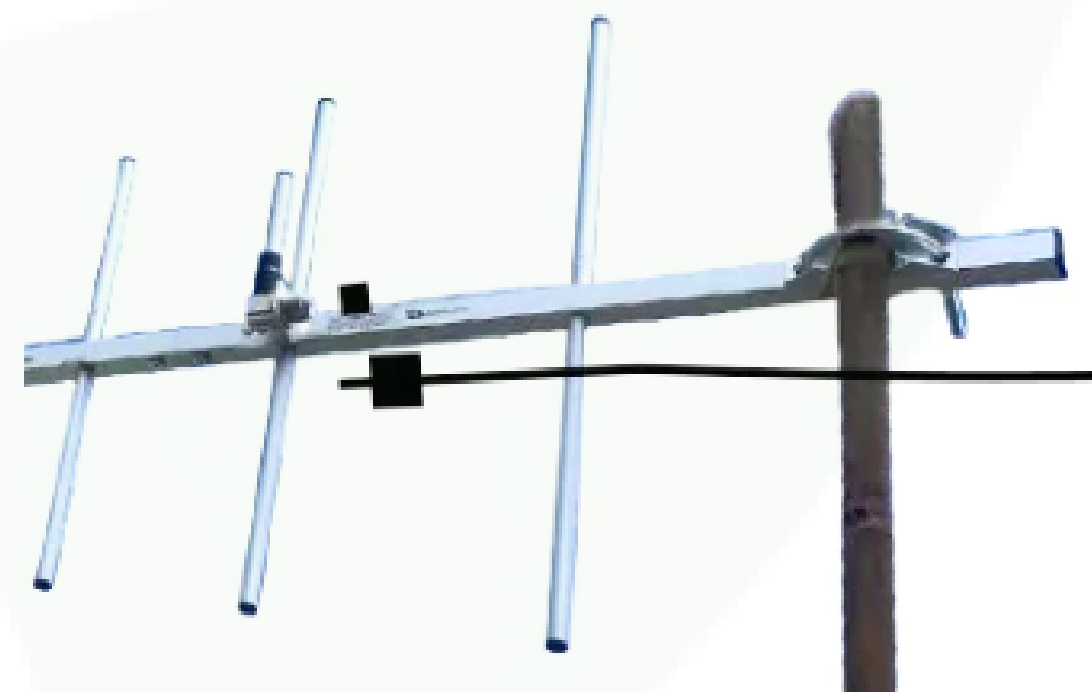
Instruction for installation

- Please put the yagi antenna element No.1 into the yagi antenna Beam No.1's hole and lock with screw, same operations install the element No.2, No.3.
- Please put the S.W.R slide block into the element No.2 and connector element, then stop on the top of the connector element's black thermal shrinkage sleeve and lock with the slide block right and left screws. The complete yagi antenna is installed successfully.

3 Elements



Clamp



Note:

- Do not cote it any paint to prevent interference with transmission and reception.
- TC-YG05 is a horizontal directional transmission. It can be used at an elevation Angle for environmental needs.
- Do not frequently disassemble the elements and screws, it will cause the antenna elements loosen and affect the S.W.R. and frequency.

CALL OR **+91-8800386366**

Follow Us For More Updates **GLEAMLIGHTINDIA** /

Info@gleamlightindia.com/www.gleamlightindia.in/gleamlightindia.com/www.gleamindia.com

GLEAM LIGHT INDIA PRIVATE LIMITED

12B Block -A, Behind Kanishka Garden, Amar Colony Main Rohtak Road Nangloi, New Delhi, Delhi 110041

